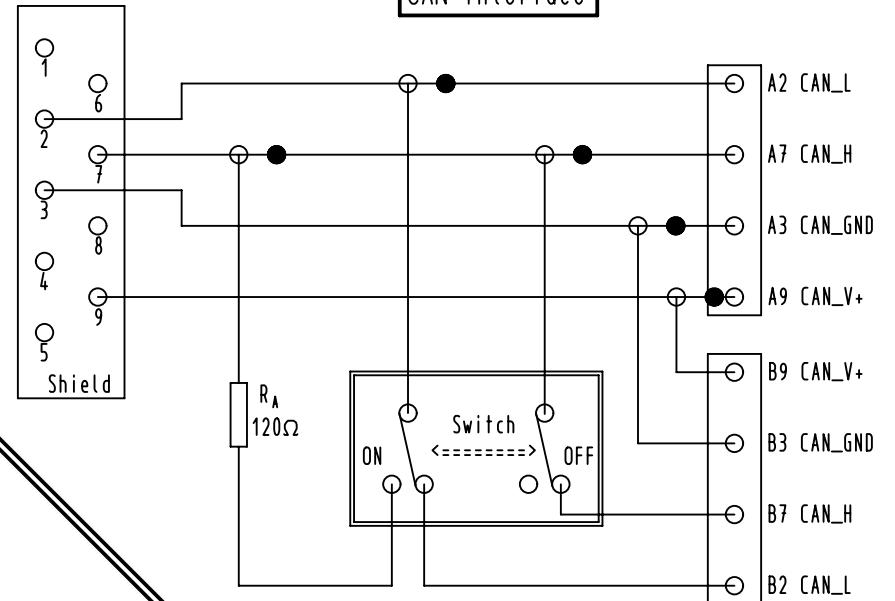


D-Sub 9 poles

CAN Interface



	All rights reserved		Created by ZHUANGJ		Inspected by LUOK		Standardisation ROEBEN		Date 2021-08-04		State Final Release		
	Department EL PD		Title InduCom 9 Female CAN 4-40UNC		Type TB		Number 66630095008		Doc-Key / ECM-Nr. 100084449/UGD/002/E 500000200533		Rev. E Page 1/1		
6663 009 5008 777		S4		Small batch		HARTING		D-32339 Espelkamp					
6663 009 5008		S4		Standard batch									
Part number		Performance level		Remark									